

CJ-1416-HS001 Headset

- ◇ **Noise Reduction**
- ◇ **Hearing Protection**
- ◇ **Talk-Thru Electronics**
- ◇ **Situational Awareness**

Military Applications:

Noise canceling headset, providing hearing protection, talk-thru and situational awareness.

Situational Awareness:

Using independent binaural compression technology, the headset reduces impulse noise, while allowing the user to hear ambient sounds.

Hearing Protection:

Offering both passive and electronic noise reduction. ENR reduces low-frequency vehicle noise. PNR will suppress impact noise to 85 dB inside the earcups.

Flexible / Foldable Headband

Talk-Thru Switch

Dynamic Boom Microphone

AA or AAA Batteries



Telephone: 631-567-3733
Email: info@cjcomponents.com
Website: www.cjcomponents.com

CJ-1416-HS005 Headset

Description

The CJ-1416-HS005 is communication headset-microphone which offers hearing protection in one device. The headset enhances situational awareness while protecting the user from high-risk sound.

Audio Specification

Microphone Impedance Dynamic; 150 Ohms

Electret: 2.2k Ohms

Speaker Impedance: 500 Ohms

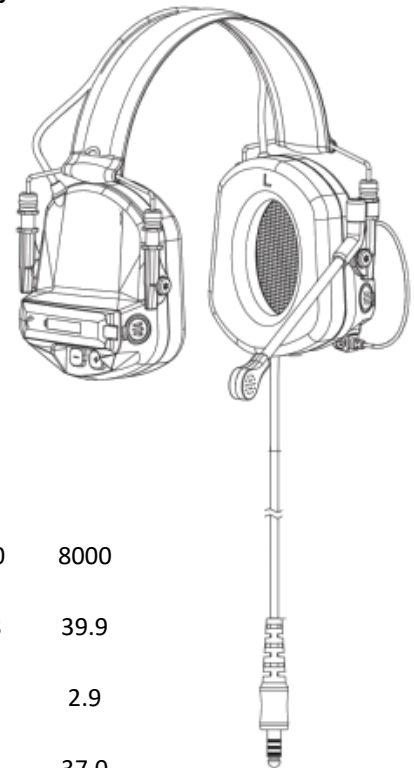
Speaker Sensitivity: 103 dB

Noise Reduction

EN352-1:2002 SNR 28 dB

ANSI S12.42-2010: Impulse Peak 168 dB

Freq (Hz)	125	250	500	1000	2000	4000	8000
Means	18.3	18.7	24.4	28.5	35.1	38.8	39.9
Std Deviation	2.9	2.1	2.3	2.2	2.9	2.6	2.9
Means-SD	15.4	16.6	22.2	26.3	32.2	36.2	37.0



Environmental

Operating Temperature: -30 C to +70 C

Storage Temperature: - 40 C to + 80 C

Humidity: 93 % @ -40 C

MIL-STD-810G



Telephone: 631-567-3733

Email: info@cjcomponents.com

Website: www.cjcomponents.com